

Power Transmission Solutions for the Wind Turbine Industry

Twiflex Limited

Warner Electric

Warner Linear

Ameridrives Couplings

Matrix International

Svendborg Brakes





THE LEADING BRAND NAMES OF ALTRA WIND TECHNOLOGY CAN OFFER EXPERTISE IN CUSTOM PRODUCT SOLUTIONS FOR A WIDE VARIETY OF WIND POWER APPLICATIONS.

As the world's demand for wind power grows, the infrastructure and equipment necessary to produce and distribute it will come under increasing pressure to perform.

With manufacturing facilities in the US, Europe China and South America, the companies in the Altra Wind Technology family can provide support to wind turbine OEMs worldwide. Many Altra solutions and plants are GL (Germanischer Lloyd) and DNV (Det Norske Veritas) certified.

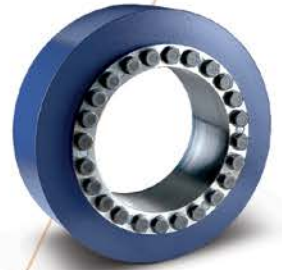


As a leading multinational designer, producer and marketer of a wide range of electromechanical power transmission products, Altra offers products utilized in wind turbine applications where reliability and accuracy are necessary to avoid costly downtime, assure safe operations and consistent reduction output.



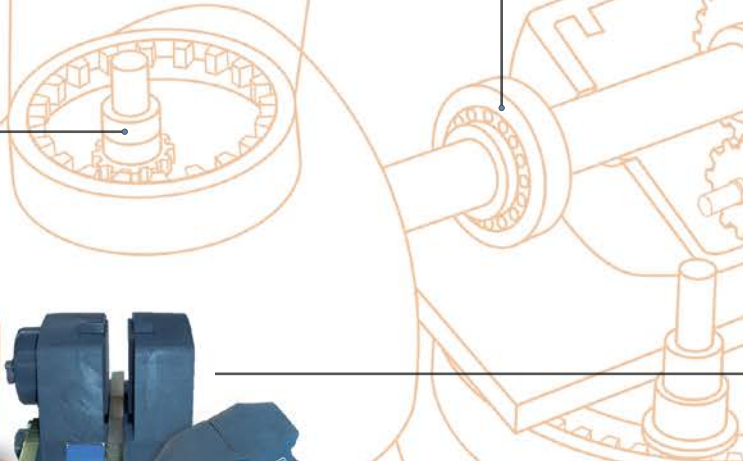
BLADE PITCH BRAKES BY MATRIX INTERNATIONAL AND WARNER ELECTRIC

ERS Series and 1 EB Series are electrically-released, spring-set brakes that offer a high-performance, cost effective solution for applications that require both "static" holding power and the ability to withstand high inertia dynamic stops in an emergency situation.



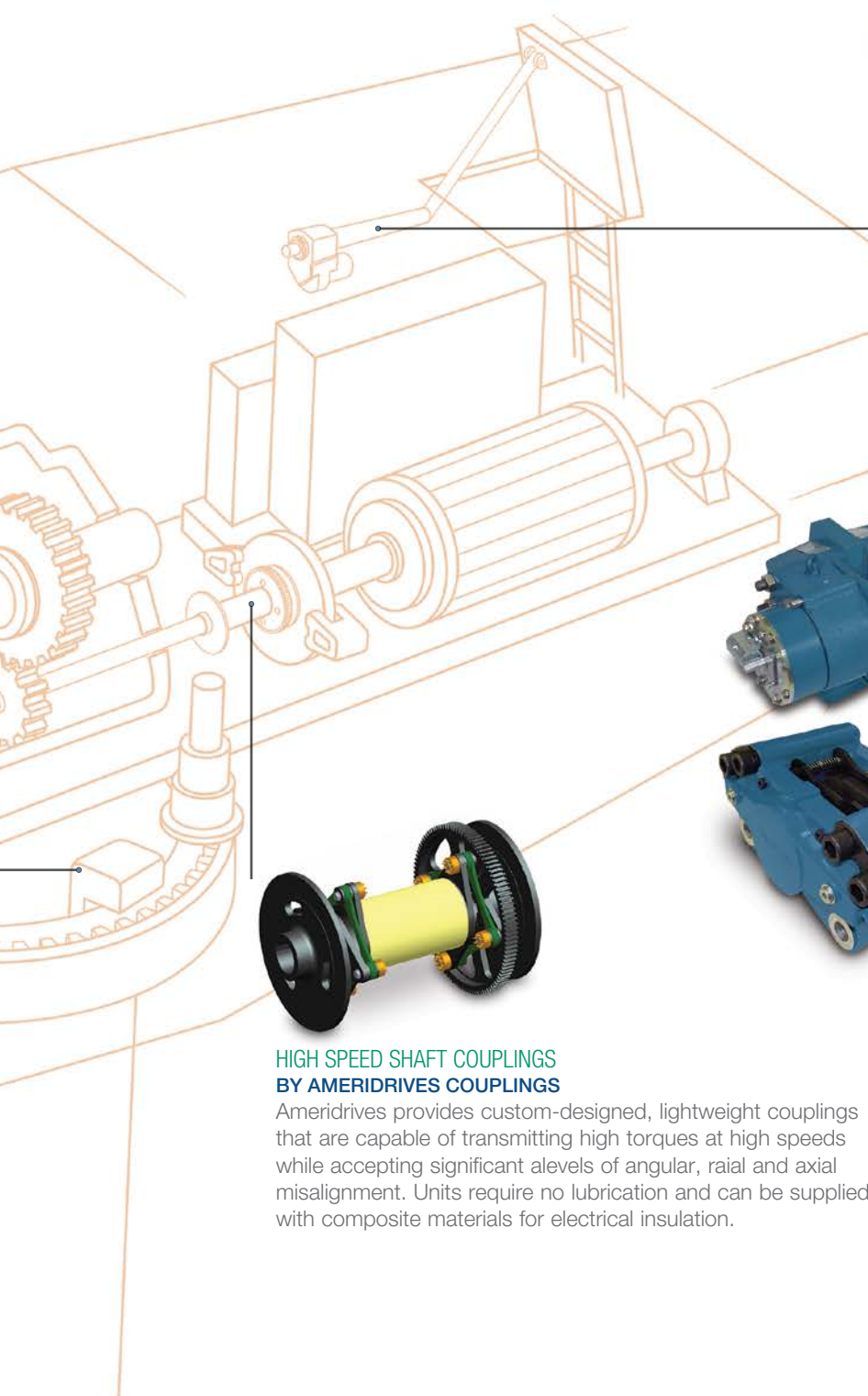
SHAFT LOCKING DEVICES BY AMERIDRIVES COUPLINGS

Ameriloc hydraulic (HLD) and mechanical (MLD) locking devices are custom-engineered for a lightweight, high torque connection between the turbine main shaft and gearbox. Units are domestically manufactured for wind turbines rated up to 3 MW.



YAW BRAKES BY TWIFLEX LIMITED AND SVENDBORG BRAKES

A range of brake solutions for installation on yaw drive or directly on yaw ring. Models are available with spring-applied or direct actuation. State of the art yaw systems specifically designed and developed through significant R&D and testing investment for all modern medium and large wind turbines. Svendborg Brakes yaw systems reduces noise, stress, peak, wear and service, and are documented for 20+ years life time.



**ACCESS HATCH LINEAR ACTUATORS
BY WARNER LINEAR**

Our broad range of standard actuators can be custom-configured to meet specific applications including special pin to pin and stroke lengths, special end fittings, mounting brackets, paints, and lead wire lengths. Load capacity up to 12,500 Nm.



**HIGH SPEED SHAFT COUPLINGS
BY AMERIDRIVES COUPLINGS**

Ameridrives provides custom-designed, lightweight couplings that are capable of transmitting high torques at high speeds while accepting significant levels of angular, radial and axial misalignment. Units require no lubrication and can be supplied with composite materials for electrical insulation.

ROTOR BRAKES

BY TWIFLEX LIMITED AND SVENDBORG BRAKES

Caliper disc brake solutions for dynamic, parking, and emergency stopping duty, in standard and floating configurations.

Engineered to handle large output torque generated by high turbine gearbox ratios. Some of the key benefits are turbine failure control system, service department monitoring and remote control operation. Svendborg Brakes rotor locks are in operation in thousands of wind turbines around the world in cost saving maintenance solutions.

Belted Drives and Sheaves

TB Wood's

Belted Drives

Chambersburg, PA - USA
1-888-829-6637 – Press #5

*For application assistance:
1-888-829-6637 – Press #7*

Couplings

Ameridrives Couplings

*Mill Spindles, Ameriflex,
Ameridisc*

Erie, PA - USA
1-814-480-5000

Gear Couplings

San Marcos, TX - USA
1-800-458-0887

Ameridrives Power Transmission

*Universal Joints, Drive Shafts,
Mill Gear Couplings*

Green Bay, WI - USA
1-920-593-2444

Bibby Turboflex

*Disc, Gear, Grid Couplings,
Overload Clutches*

Dewsbury, England
+44 (0) 1924 460801

Boksburg, South Africa
+27(0) 11 918 4270

Guardian Couplings

*Engineered Flywheel Couplings,
Engine Housings and Pump Mounts,
Flexible Shaft Couplings*

Michigan City, IN - USA
1-219-874-5248

Huco Dynatork

*Precision Couplings and
Air Motors*

Hertford, England
+44 (0) 1992 501900

Chambersburg, PA - USA
1-888-829-6637

Couplings Cont.

Lamiflex Couplings

*Flexible Couplings, Bearing
Isolators, and Coupling Guards*

Cotia, SP - Brasil
+55 (11) 4615-6300

TB Wood's

Elastomeric Couplings

Chambersburg, PA - USA
1-888-829-6637 – Press #5

*For application assistance:
1-888-829-6637 – Press #7*

General Purpose Disc Couplings

San Marcos, TX - USA
1-888-449-9439

**Electromagnetic
Clutches and Brakes**

Inertia Dynamics

*Spring Set Brakes; Power On and
Wrap Spring Clutch/Brakes*

New Hartford, CT - USA
1-800-800-6445

Matrix International

*Electromagnetic Clutches
and Brakes, Pressure Operated
Clutches and Brakes*

Brechin, Scotland
+44 (0) 1356 602000

New Hartford, CT - USA
1-800-825-6544

Warner Electric

*Electromagnetic Clutches
and Brakes*

New Hartford, CT - USA
1-800-825-6544

*For application assistance:
1-800-825-9050*

Saint Barthélemy d'Anjou, France
+33 (0)2 41 21 24 24

*Precision Electric Coils and
Electromagnetic Clutches and
Brakes*

Columbia City, IN - USA
1-260-244-6183

**Engineered
Bearing Assemblies**

Kilian Manufacturing

*Engineered Bearing
Assemblies*

Syracuse, NY - USA
1-315-432-0700

Gearing

Bauer Gear Motor

Gearred Motors

Esslingen, Germany
+49 (711) 3518-0

Somerset, NJ - USA
1-732-469-8770

Boston Gear

*Enclosed and Open Gearing,
Electrical and Mechanical
P.T. Components*

Charlotte, NC - USA
1-800-825-6544

*For application assistance:
1-800-816-5608*

**Nuttall Gear and
Delroyd Worm Gear**

*Worm Gear and
Helical Speed Reducers*

Niagara Falls, NY - USA
1-716-298-4100

**Heavy Duty
Clutches and Brakes**

Industrial Clutch

*Pneumatic and Oil Immersed
Clutches and Brakes*

Waukesha, WI - USA
1-262-547-3357

Svendborg Brakes

*Industrial Brakes and
Brake Systems*

Vejstrup, Denmark
+45 63 255 255

Twiflex Limited

Caliper Brakes and Thrusters

Wichita Falls, TX - USA
1-844-723-3483

Twickenham, England
+44 (0) 20 8894 1161

**Heavy Duty
Clutches and Brakes Cont.**

Wichita Clutch

*Pneumatic Clutches
and Brakes*

Wichita Falls, TX - USA
1-800-964-3262

Bedford, England
+44 (0) 1234 350311

Linear Products

Warner Linear

Linear Actuators

Belvidere, IL - USA
1-800-825-6544

*For application assistance:
1-800-825-9050*

Saint Barthélemy d'Anjou,
France
+33 (0)2 41 21 24 24

Overrunning Clutches

Formsprag Clutch

*Overrunning Clutches
and Holdbacks*

Warren, MI - USA
1-800-348-0881 – Press #1

*For application assistance:
1-800-348-0881 – Press #2*

Marland Clutch

*Roller Ramp and Sprag Type
Overrunning Clutches
and Backstops*

South Beloit, IL - USA
1-800-216-3515

Stieber Clutch

*Overrunning Clutches
and Holdbacks*

Heidelberg, Germany
+49 (0) 6221-30470

For information concerning our
sales offices in Asia Pacific
check our website
www.altramotion.com.cn



www.altramotion.com

300 Granite Street • Braintree, MA 02184 - USA

Twiflex Limited

+44 (0) 20 8894 1161

Svendborg Brakes

Denmark: +45 63 255 255
China: +86 21 60580600
Brazil: +55 11 4615-6300

Warner Electric

1-800-825-6544

Warner Linear

1-800-825-6544

Ameridrives Couplings

1-814-480-5000

Matrix International

1-800-825-6544