



openhydro

openhydro

All-Energy Presentation

23rd May 2007

Contents

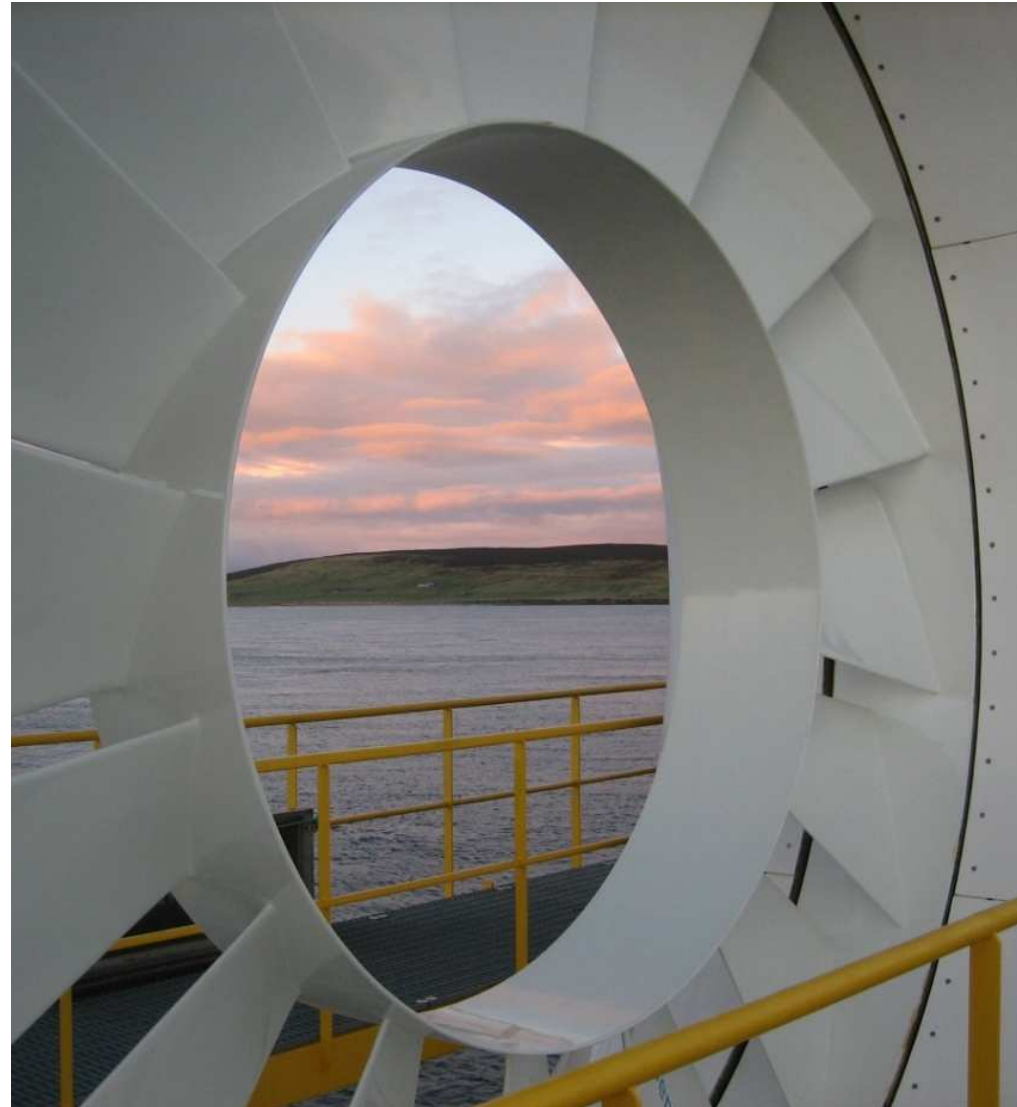
1. **Open-Centre Turbine**
2. **2006 EMEC Deployment**
3. **Development Plan**
4. **Summary**

Contents

- 1. Open-Centre Turbine**
2. 2006 EMEC Deployment
3. Development Plan
4. Summary

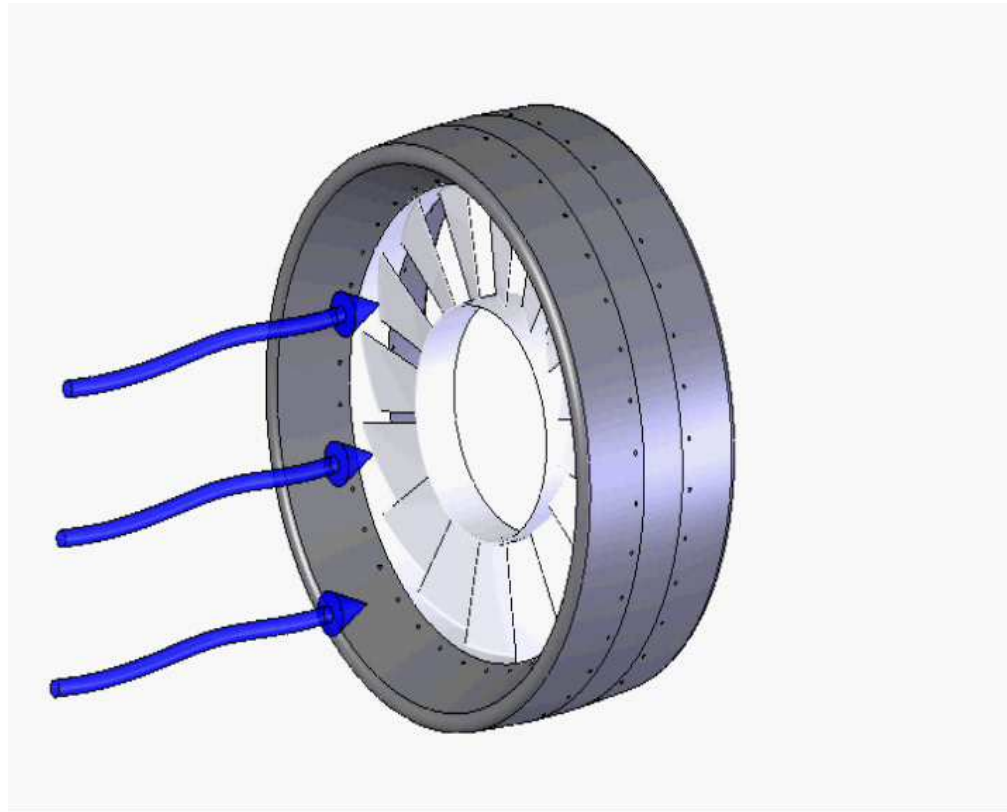
Open-Centre Turbine

- ❑ The key to the Open-Centre Turbine lies in the simplicity of the design.
- ❑ If a turbine is to survive in a marine environment it is essential that it is simple and robust.
- ❑ 12 years design & development.



Turbine Design

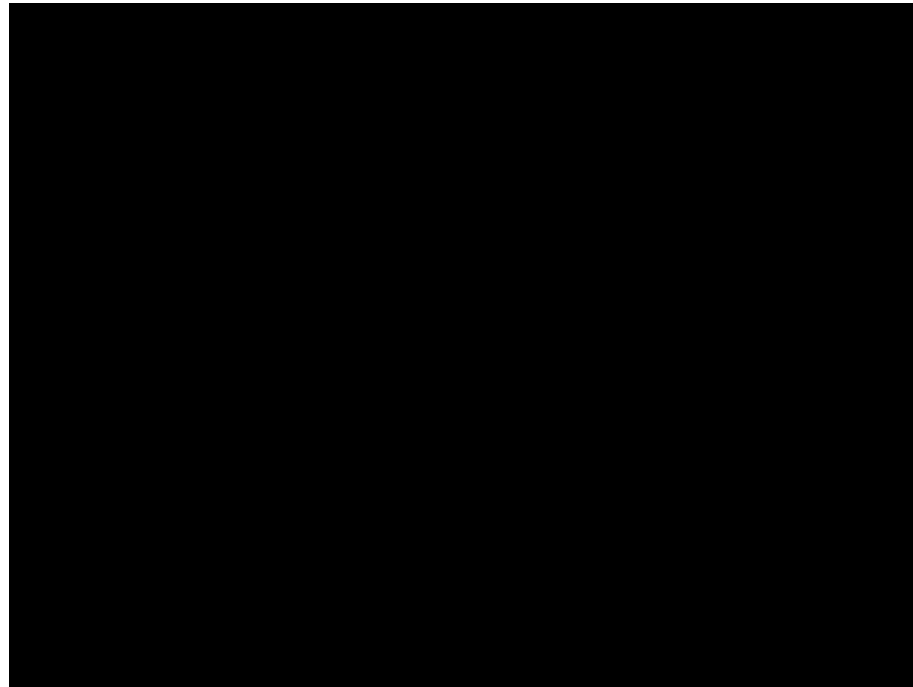
- ❑ As water flows through the turbine, the inner disc rotates producing electricity via a permanent magnet generator.



Contents

1. Open-Centre Turbine
- 2. 2006 EMEC Deployment**
3. Development Plan
4. Summary

Installation



The installation works were completed in November 2006.

Completed Installation

- ❑ Long term turbine test facility.
- ❑ Ability to raise, lower and exchange turbines.
- ❑ All commercial deployments will be mounted on the seabed.



Contents

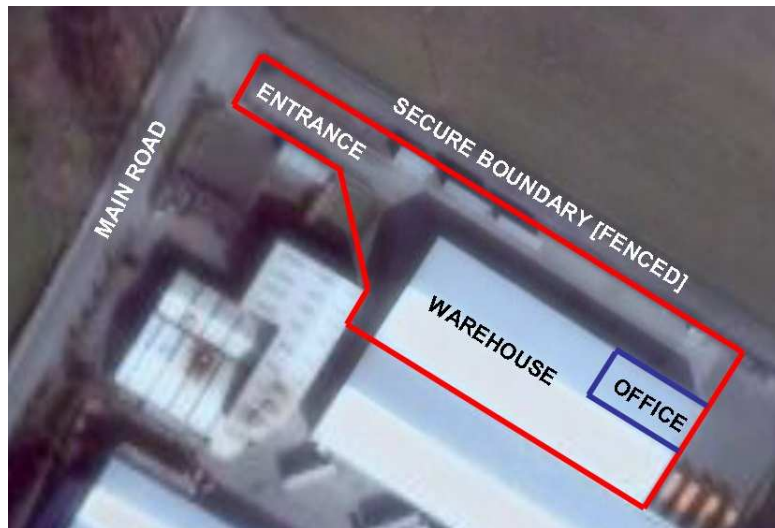
1. Open-Centre Turbine
2. 2006 EMEC Deployment
- 3. Development Plan**
4. Summary

Turbine Testing



European Manufacturing Facility

- ❑ OpenHydro has moved its manufacturing base from Florida to a 27,000 sq ft facility in Ireland.

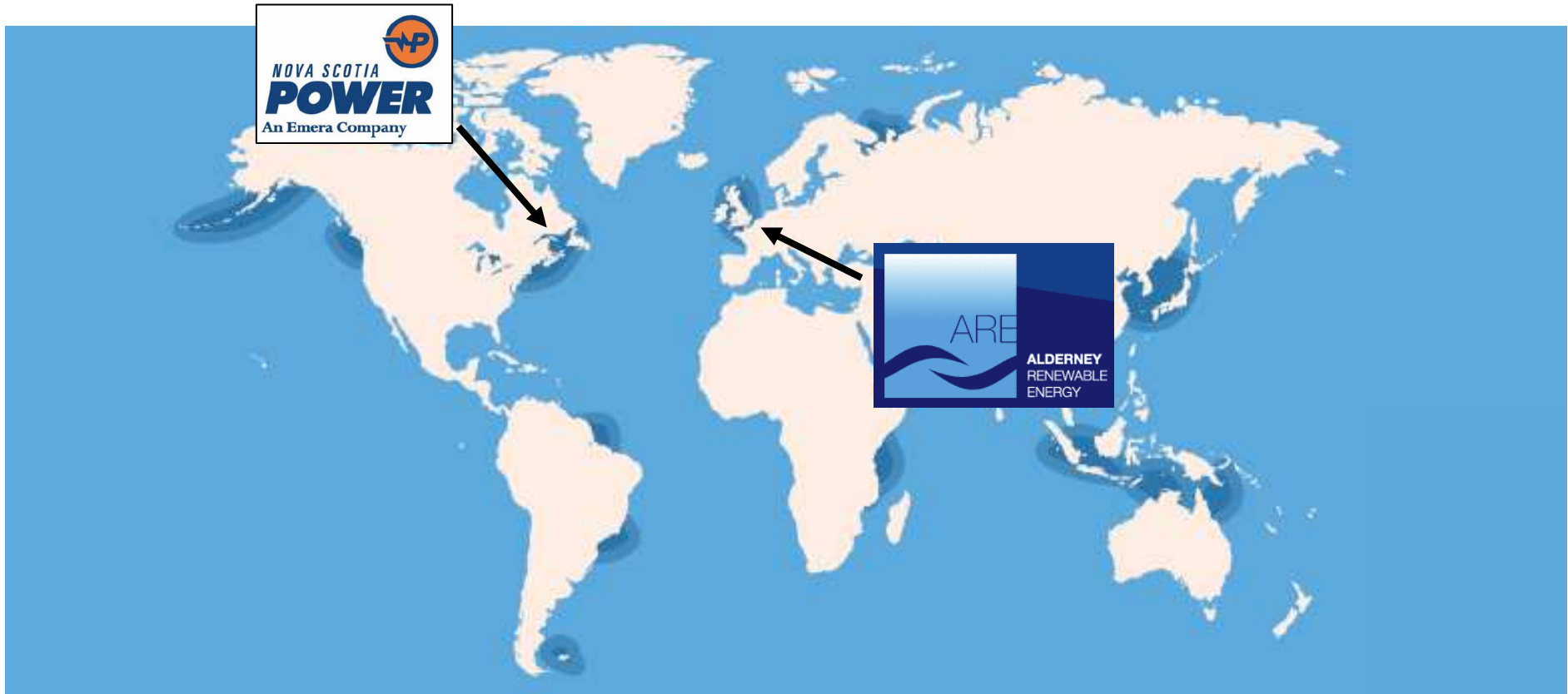


Subsea Turbine Deployment

- ❑ OpenHydro's vision is for turbines mounted on the seabed.
- ❑ The company plan to trial the deployment of a gravity base at EMEC.
- ❑ OpenHydro have received a €1.8m grant from the Scottish Executive to support this work.



Development Pipeline



Agreements secured to install turbines in Canada and the Channel Islands.

Contents

1. Open-Centre Turbine
2. 2006 EMEC Deployment
3. Development Plan
- 4. Summary**

Summary

- ❑ Unique technology.
- ❑ Ongoing testing at EMEC
- ❑ Strong pipeline of commercial opportunities.
- ❑ Clear development plans.

